

FORMAT

**8' RECTANGULAR TABLES WITH
STANDARD SEATING.**

DIMENSIONS 20' X 20'

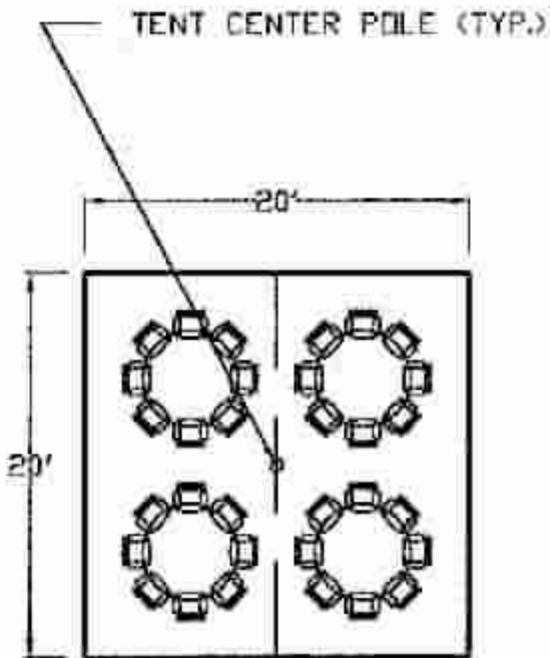
CAPACITY 48 SEATS

© 2001 **A.E. Parkins Tents**

41 Beech Lane
Elizabethtown, PA 17022

(717) 361-8198

www.AEParkinsTents.com



FORMAT	
6' DIA. ROUND TABLES WITH STANDARD SEATING.	
DIMENSIONS	20' X 20'
CAPACITY	32 SEATS

© 2001 **A.E. Parkins Tents**
 41 Beech Lane
 Elizabethtown, PA 17022
 (717) 361-8198
www.AEParkinsTents.com